

THIS DRAWING IS UNPUBLISHED.

RELEASED FOR PUBLICATION

© COPYRIGHT 20

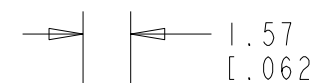
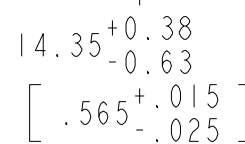
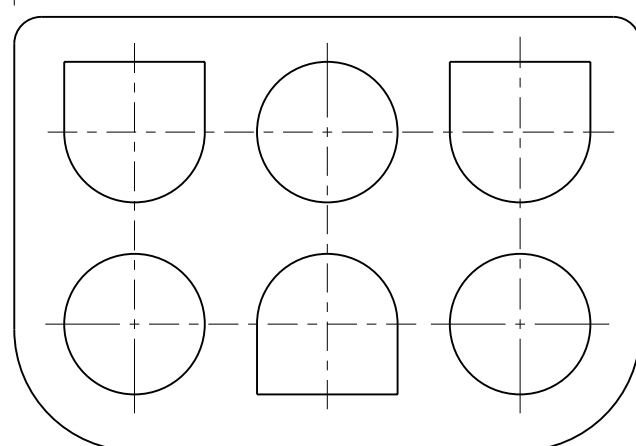
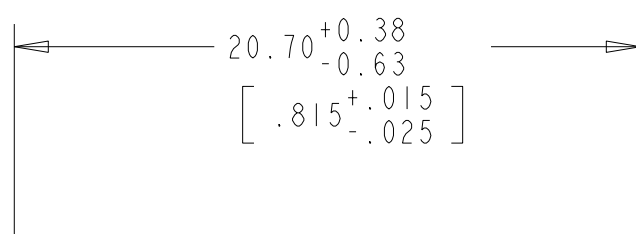
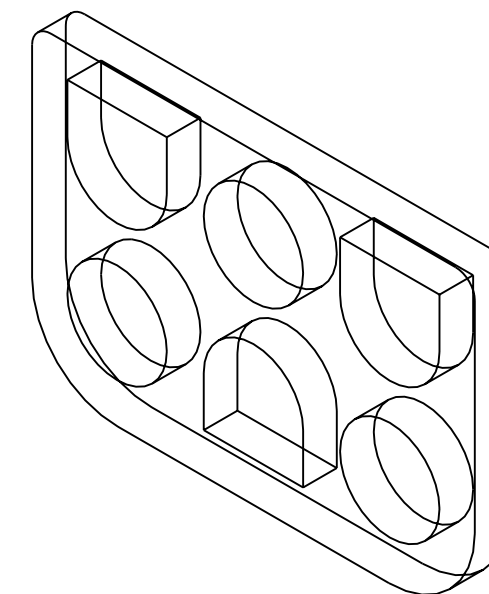
BY TYCO ELECTRONICS CORPORATION. ALL RIGHTS RESERVED.

LOC CM DIST 45

REVISIONS

P	LTR	DESCRIPTION	DATE	DWN	APVD
	E	REVISED PER ECO-05-001965	04MAY05	KW	SR

- 1 MATERIAL: CLOSED CELL SILICON FOAM, BLACK
- 2. SUPPLIED ON MYLAR TAPE.



794993-1
PART NUMBER

THIS DRAWING IS A CONTROLLED DOCUMENT FOR TYCO ELECTRONICS CORPORATION. IT IS SUBJECT TO CHANGE AND THE CONTROLLING ENGINEERING ORGANIZATION SHOULD BE CONTACTED FOR THE LATEST REVISION.

DIMENSIONS: mm [INCHES]		TOLERANCES UNLESS OTHERWISE SPECIFIED:	
	0 PLC ±-	1 PLC ±-	2 PLC ±0.51 [.020]
	3 PLC ±-	4 PLC ±-	ANGLES ±-
MATERIAL	FINISH	-	

DWN	07-DEC-2001
CHK	K. WHITAKER
APVD	07-DEC-2001
APVD	S. RIDGILL
APVD	07-DEC-2001
APVD	S. RIDGILL
PRODUCT SPEC	-
APPLICATION SPEC	-
WEIGHT	-

tyco Electronics		Tyco Electronics Harrisburg, PA 17105-3608	
NAME INTERFACE SEAL, 6 CIRCUIT, UNIVERSAL MATE-N-LOK™			
SIZE	CAGE CODE	DRAWING NO	RESTRICTED TO
A3	00779	794993	-
CUSTOMER DRAWING		SCALE	SHEET OF REV
		4:1	1 OF 1 E

